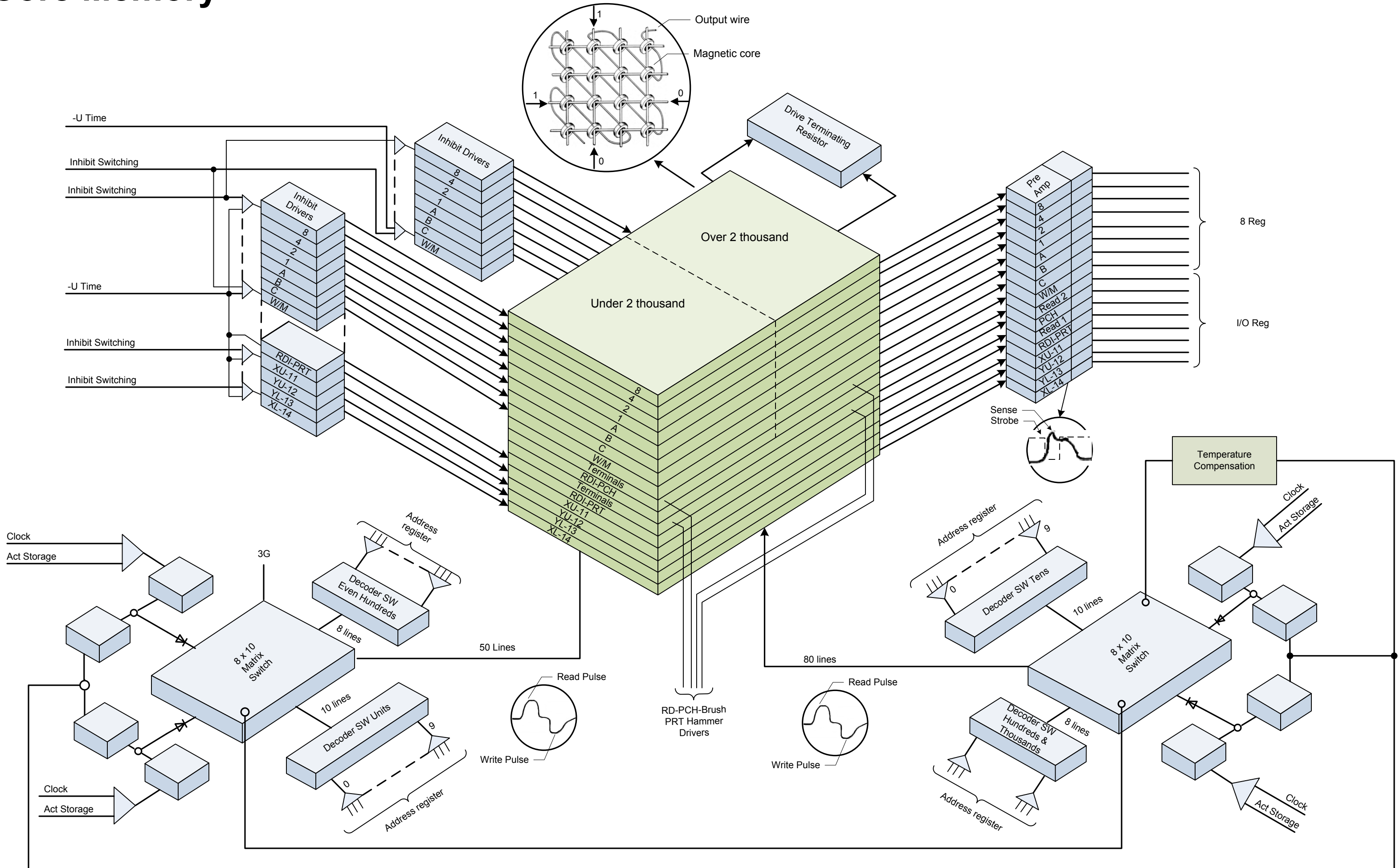
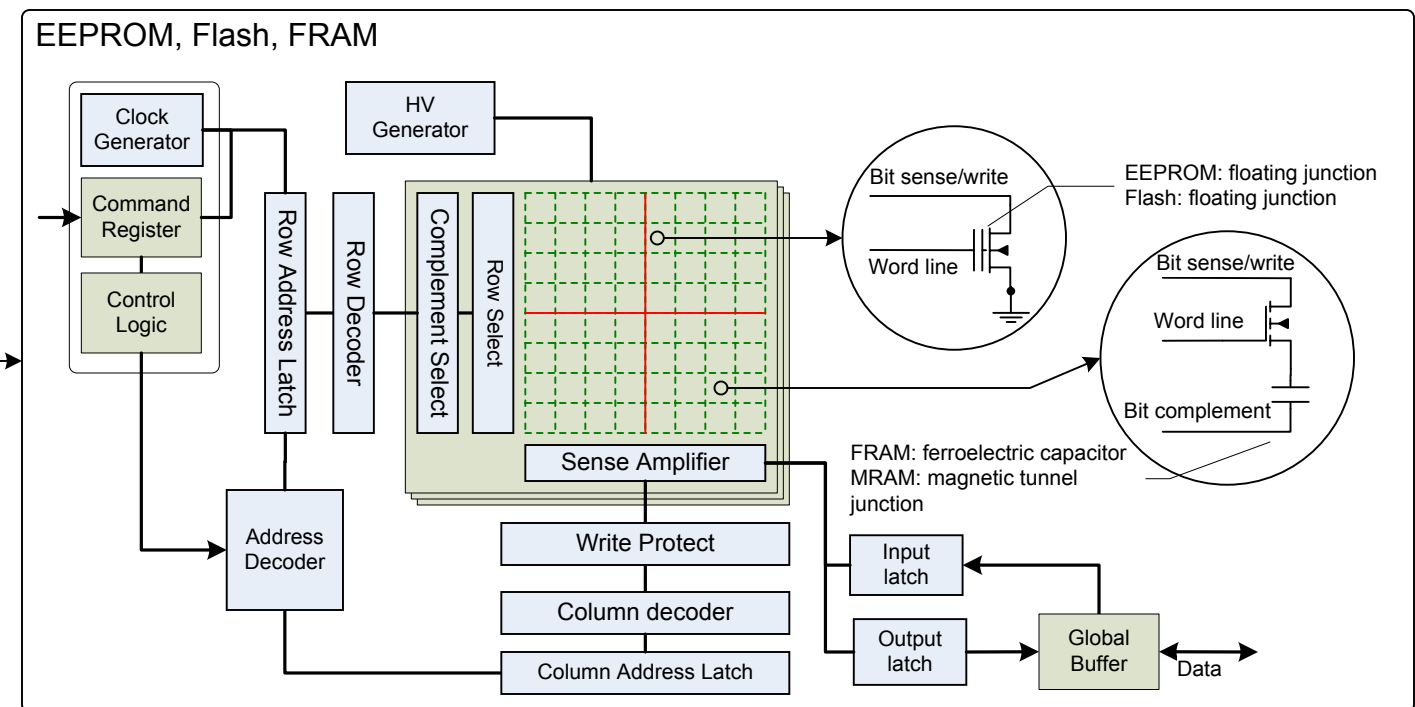
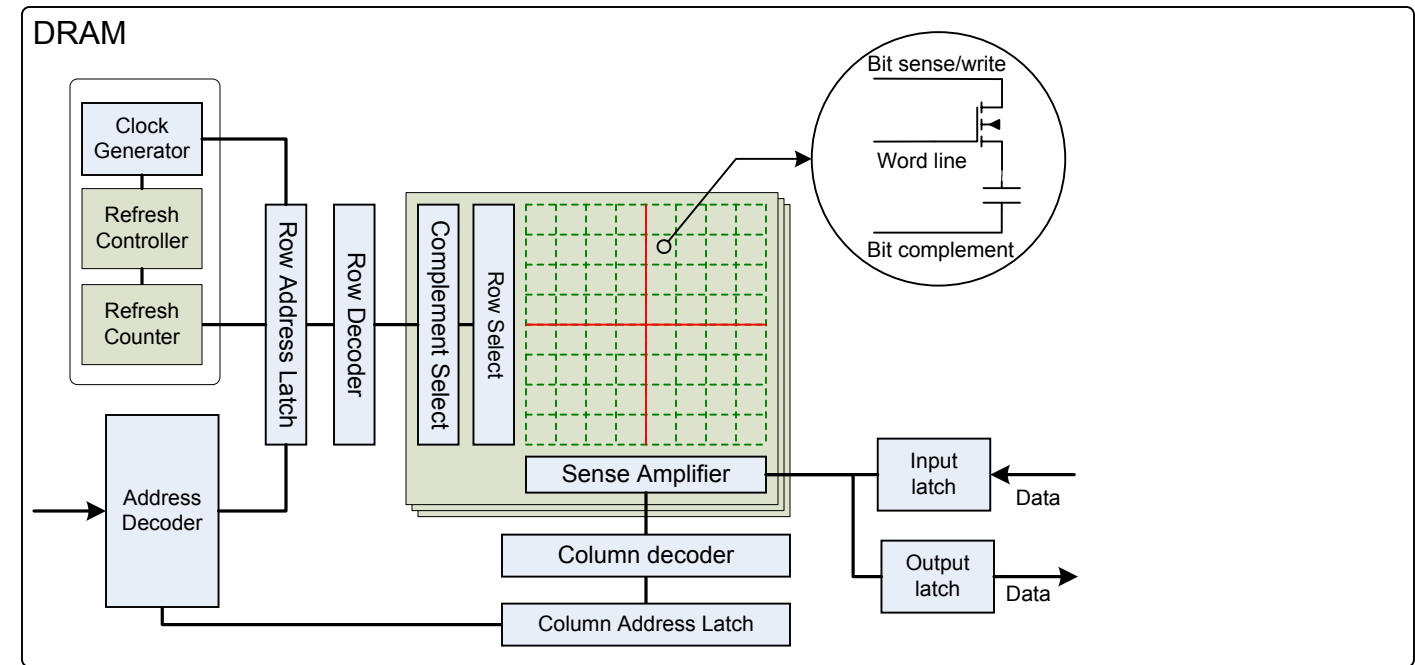
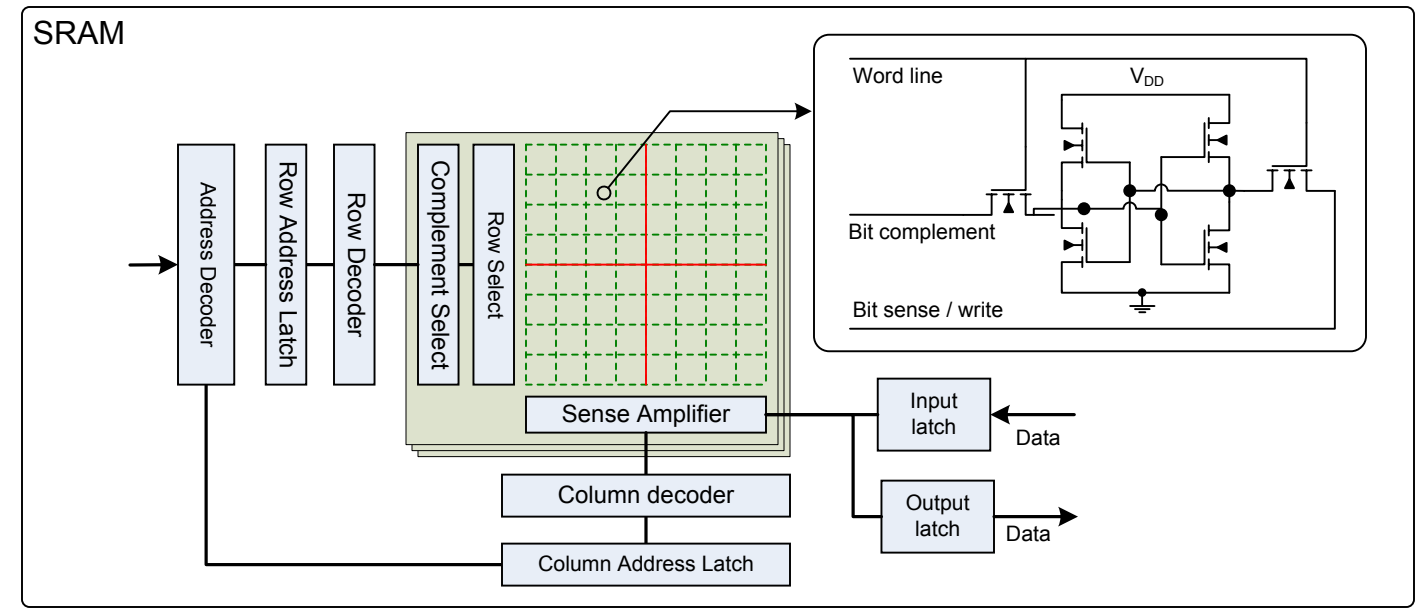
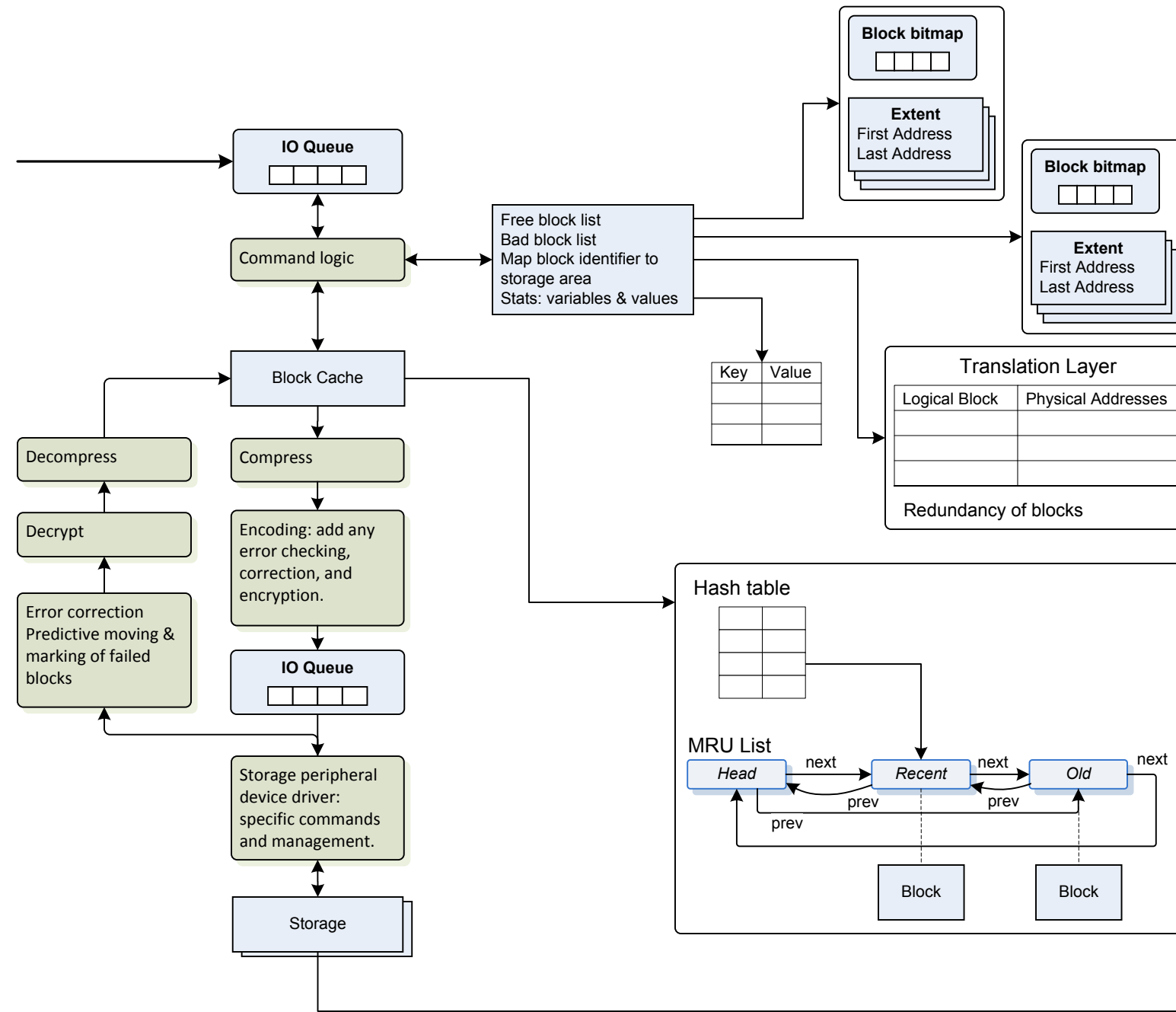


# Core Memory



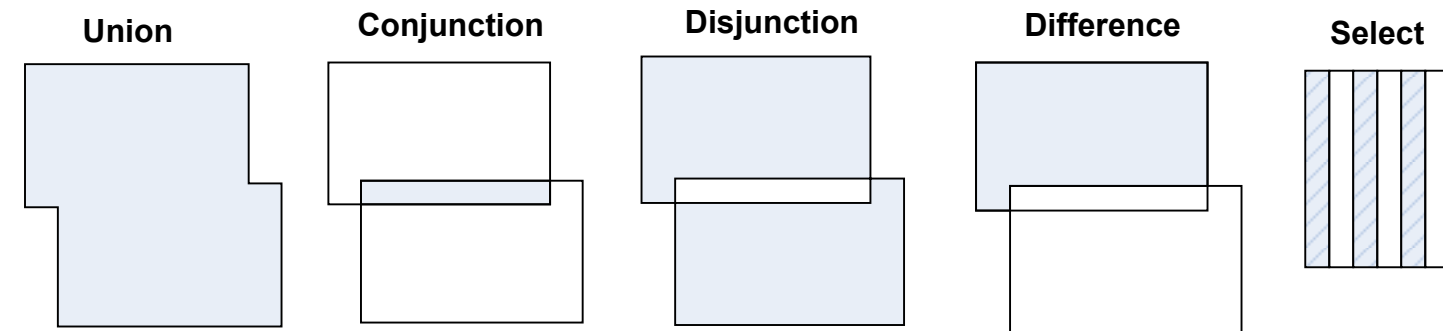
# Any modern storage / SSD



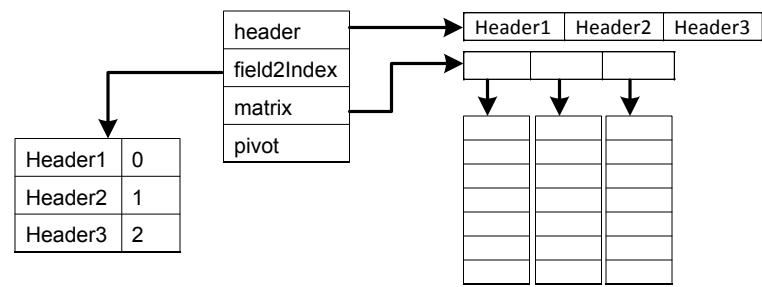
# Information storage

## Relations

### Operations on sets of data

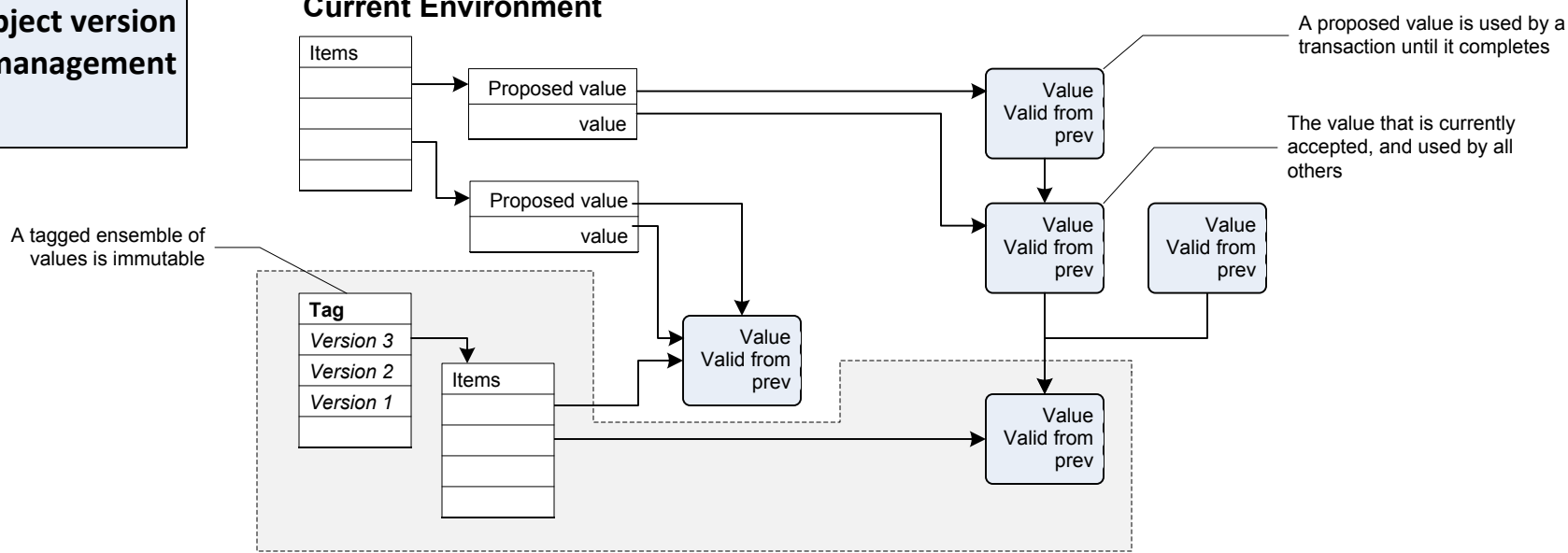


### Column Oriented Data Store

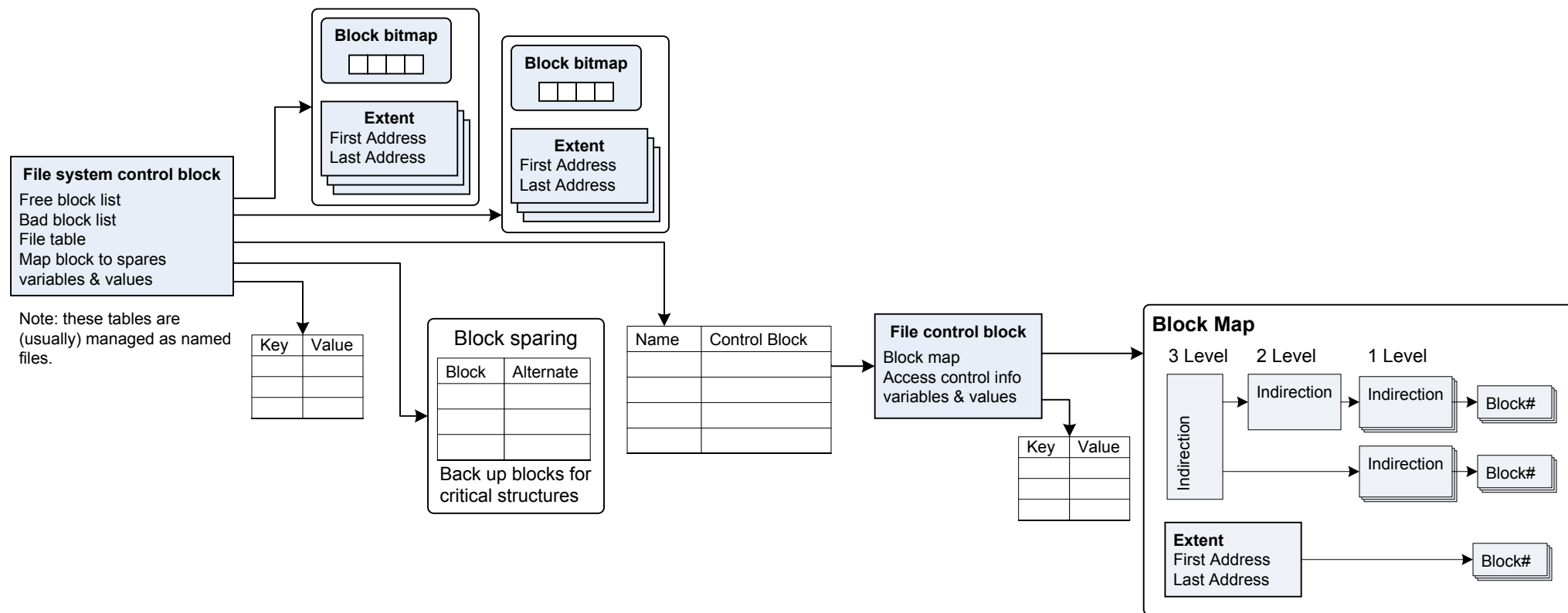


## Object version management

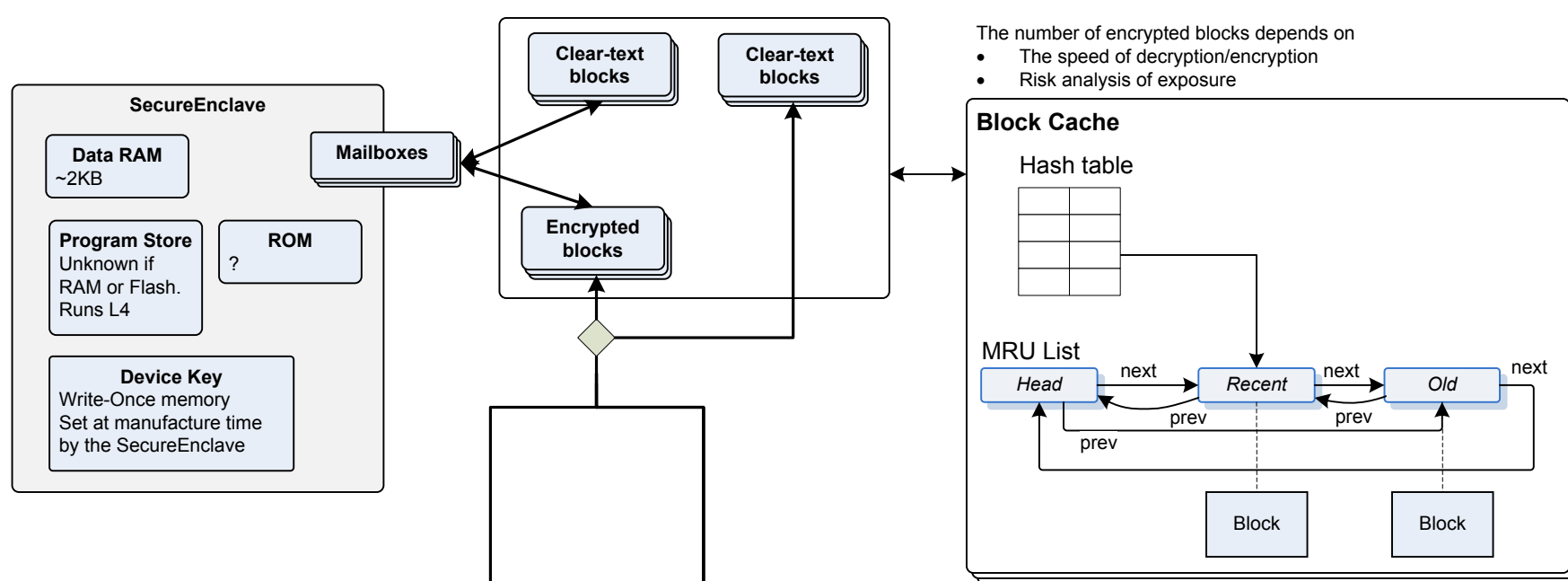
### Current Environment



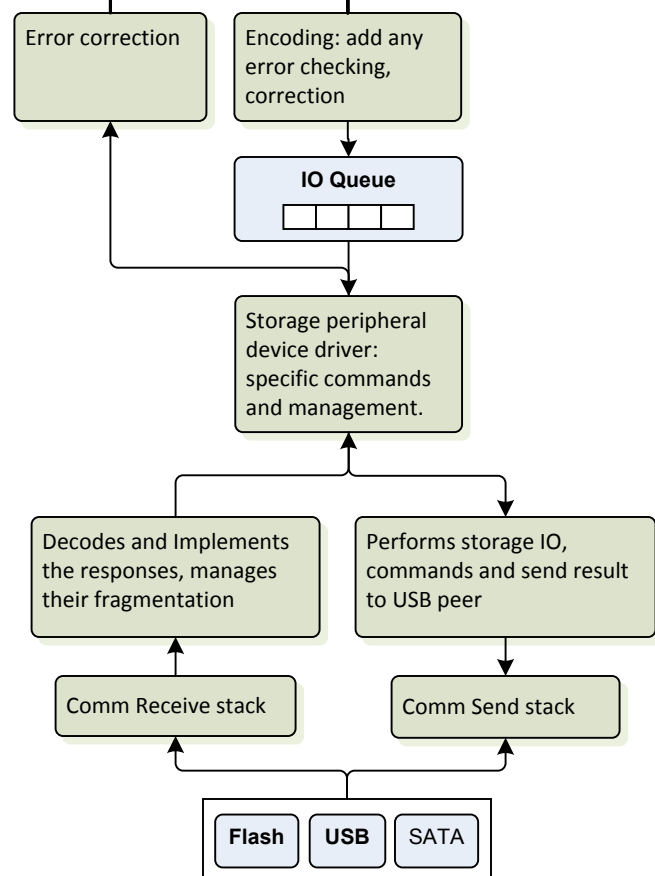
## Object store



## Encryption management



## Transport



## Media

